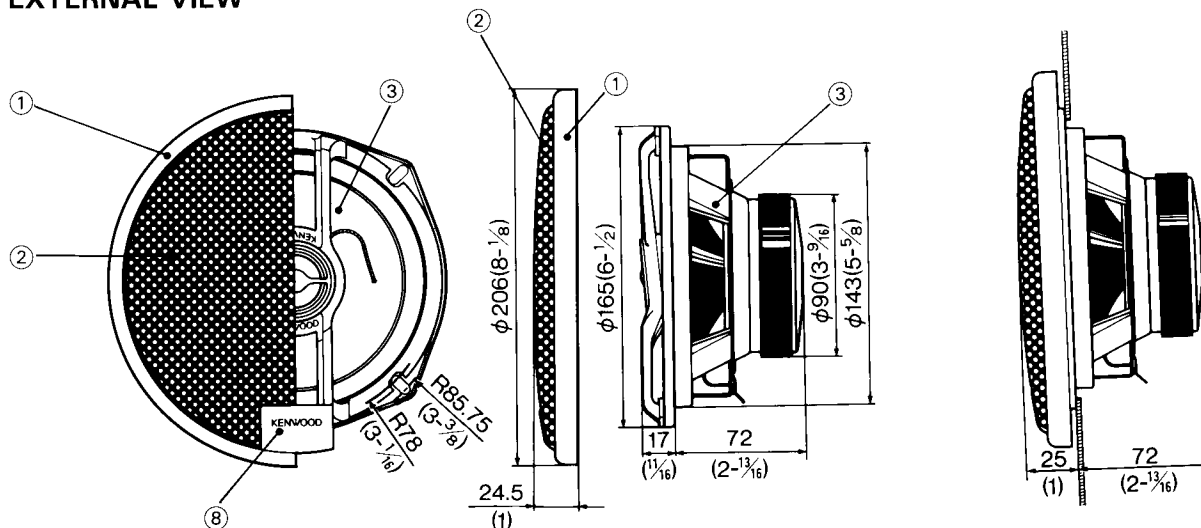


KFC-HQ173

SERVICE MANUAL

©1992-11 PRINTED IN JAPAN
B51-6537-00(MC) 1636

EXTERNAL VIEW



UNIT: mm (inch)

PARTS INCLUDED

- ④ 4.5m(15ft)(O.F.C).....×2
- ⑤ $\phi 4-30(3/16-1-3/16)$×8
- ⑥×8
- ⑦×1
- ⑧×2

SPECIFICATIONS

- Speakers**
- Woofer.....165mm(6-1/2in) Injection P.P. Cone Type
380g(13.5oz) Magnet
 - Tweeter.....32mm(1-1/4in) Titanium Balanced Dome Type
 - Peak Power.....150 Watts
 - Frequency Response.....30Hz~30,000Hz
 - Sensitivity.....91 dB/W at 1m
 - Impedance.....4 Ohms
 - Weight Per Speaker With Grille.....2,600g(5.7 lb)/Pair

We follow a policy of advancements in development.
For this reason specifications may be changed without notice.

PARTS LIST

★ New parts
Parts without **Parts No.** are not supplied.
Les articles non mentionnés dans le **Parts No.** ne sont pas fournis.
Teile ohne **Parts No.** werden nicht geliefert.

Ref No.	New Parts	Parts No.	Description
①	★	B06-0745-08	FRONT GRILLE
⑧		B43-0900-08	BADGE SET
④		E30-5137-08	CORD SET
②	★	F09-1053-08	PROTECTOR
⑦		J69-0111-08	BUTYL RUBBER
⑤ ⑥	★	N99-1239-08	SCREW SET
③	★	T15-0227-08	SPEAKER

KENWOOD CORPORATION

Alive Mitake, 2-5, 1-chome Shibuya, Shibuya-ku, Tokyo 150, Japan

KENWOOD U.S.A. CORPORATION
P.O. BOX 22745, 2201 East Dominguez St., Long Beach, CA 90810 U.S.A.
550 Clark Drive, Mount Olive, New Jersey 07828, U.S.A.
99-994 Iwaena St. Area, Hawaii 96701

KENWOOD ELECTRONICS CANADA INC.
6070 Kesrel Road, Mississauga, Ontario, Canada L5T 1S8

KENWOOD ELECTRONICS LATIN AMERICA S.A.
P.O. BOX 55-2791, Piso 6 Plaza Chase, Cl. 47 y Aquilino de la Guardia, Panama, Republic of Panama

TRIO-KENWOOD U.K. LIMITED
KENWOOD House, Dwight Road, Watford, Herts, WD1 8EB United Kingdom

KENWOOD ELECTRONICS BENELUX N.V.
Mechelsesteenweg 418 B-1930 Zaventem, Belgium

KENWOOD ELECTRONICS DEUTSCHLAND GMBH
Rembrucker Str. 15, 60556 Heusenstamm, Germany

TRIO-KENWOOD FRANCE S.A.
13 Boulevard Ney, 75018 Paris, France

KENWOOD LINEAR S.p.A.
20125, Milano-Via Arbe, 50, Italy

KENWOOD ESPAÑA S.A.
Bolivia, 239-08020 Barcelona, Spain

KENWOOD ELECTRONICS AUSTRALIA PTY. LTD. (A.C.N. 001 499 074)
P.O. BOX 504, 8 Figtree Drive, Australia Centre, Homebush, N.S.W. 2140, Australia

KENWOOD & LEE ELECTRONICS, LTD.
Unit 3712-3724, Level 37 Tower 1 Metroplaza, 223 Hing Fong Road, Kwa: Fong N.T. Hong Kong

KENWOOD ELECTRONICS SINGAPORE PTE LTD
No. 1 Genting Lane # 07-00, Singapore, 1334